

Hypertherm®



***Centricut CO₂ laser consumables
for Messer Griesheim®***

Chemical code key
Lens

PFL	Pre-focus
MEN	Meniscus
PLX	Plano-convex
MTD	Mounted
Not MTD	Not mounted
MP5	Low absorption

Mirrors

SI	Silicon
GE	Germanium
ZNSE	Zinc-selenide
PS	Phase shift
MMR	Maximum metal reflector
ATFR	Absorbing thin film reflector
TRZ	Total Reflector – zero phase shift
ZPS	Zero phase shift
OC	Output coupler
RM	Rear mirror
COL-I	Collimator input
COL-O	Collimator output
AO	Adaptive optic
UC	Uncoated
MCX	Convex
MCC	Concave

Measurements

DIA	Diameter
FL	Focal length
ET	Edge thickness

Product is available for the following major OEM brands

Amada®

Behrens®

Bystronic®

Cincinnati®

Finn-Power®

GHT-SHT®

Haas®

Haco® – Technology Italiana®

Hankwang®

Lasergyne®

Laser Lab®

LVD®

Mazak®

Messer Griesheim®

Mitsubishi®

Murata Wiedemann® – Fanuc®

Niigata®

NTC® – Beyeler®

Precitec®

Prima Industrie®

Raskin®

Rouchaud®

Salvagnini®

Strippit®

Tanaka®

Thyssen®

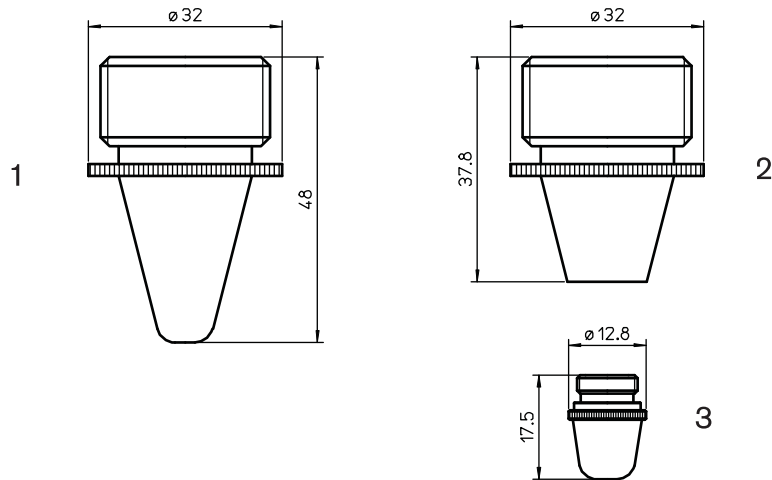
Trumpf®

Technical service

OEM-trained technicians on staff with over 25 years of experience.

Free application support for all laser OEMs.

We stand behind our products with industry-leading technical expertise.



Consumables

Centricut part number	Reference number	Alternate reference	Description	Pkg qty	
1	MG356-2282	72252282	L271	Nozzle – 0.8 mm	1
	MG356-2281	72252281	L272	Nozzle – 1.0 mm	1
	MG356-2280	72252280	L273	Nozzle – 1.2 mm	1
	MG356-2192	72252192	L274	Nozzle – 1.4 mm	1
	MG356-2190	72252190	L275	Nozzle – 1.6 mm	1
	MG356-2191	72252191	L276	Nozzle – 1.8 mm	1
	MG356-3911	72253911	L334	Nozzle – 2.0 mm	1
	MG356-3912	72253912	L335	Nozzle – 2.2 mm	1
	MG356-3916	72253916	L336	Nozzle – 2.4 mm	1
	MG356-4459	72254459	L337	Nozzle – 3.0 mm	1
2	MG389-0001		AL110	Nozzle adapter	1
	MG389-0002		L340	Nozzle – 0.8 mm	1
	MG389-0003		L341	Nozzle – 1.0 mm	1
	MG389-0004		L342	Nozzle – 1.2 mm	1
	MG389-0005		L343	Nozzle – 1.4 mm	1
3	MG389-0006		L344	Nozzle – 1.6 mm	1
	MG389-0007		L345	Nozzle – 1.8 mm	1
	MG389-0008		L346	Nozzle – 2.0 mm	1
	MG389-0009		L347	Nozzle – 2.2 mm	1
	MG389-0010		L348	Nozzle – 2.4 mm	1
	MG389-0011		L349	Nozzle – 3.0 mm	1

Optics care

Centricut part number	Reference number	Description	Pkg qty
TR300-6452	N/A	CO ₂ Lens paper (50 sheets)	1



Centricut and Hypertherm are trademarks of Hypertherm, Inc., and may be registered in the United States and/or other countries. All other trademarks are the property of their respective owners.

© 1/10 Hypertherm, Inc.

Hypertherm[®]

Hypertherm, Inc.
Hanover, NH 03755 USA
603-643-3441 Tel

Hypertherm Europe B.V.
4704 SE Roosendaal, Nederland
31 165 596907 Tel

Hypertherm (Shanghai)
Trading Co., Ltd.
PR China 200052
86-21 5258 3330 /1 Tel

Hypertherm (S) Pte Ltd.
Singapore 349567
65 6 841 2489 Tel

Hypertherm (India) Thermal Cutting
Pvt. Ltd.
Chennai, Tamil Nadu
91 0 44 2834 5361 Tel

Hypertherm Brasil Ltda.
Guarulhos, SP - Brasil
55 11 2409 2636 Tel

Hypertherm México, S.A. de C.V.
México, D.F.
52 55 5681 8109 Tel

www.hypertherm.com