

Hypertherm[®]



***Centricut CO₂ laser consumables
for Raskin[®]***

Chemical code key
Lens

PFL	Pre-focus
MEN	Meniscus
PLX	Plano-convex
MTD	Mounted
Not MTD	Not mounted
MP5	Low absorption

Mirrors

SI	Silicon
GE	Germanium
ZNSE	Zinc-selenide
PS	Phase shift
MMR	Maximum metal reflector
ATFR	Absorbing thin film reflector
TRZ	Total Reflector – zero phase shift
ZPS	Zero phase shift
OC	Output coupler
RM	Rear mirror
COL-I	Collimator input
COL-O	Collimator output
AO	Adaptive optic
UC	Uncoated
MCX	Convex
MCC	Concave

Measurements

DIA	Diameter
FL	Focal length
ET	Edge thickness

Product is available for the following major OEM brands

Amada®

Behrens®

Bystronic®

Cincinnati®

Finn-Power®

GHT-SHT®

Haas®

Haco® – Technology Italiana®

Hankwang®

Lasergyne®

Laser Lab®

LVD®

Mazak®

Messer Griesheim®

Mitsubishi®

Murata Wiedemann® – Fanuc®

Niigata®

NTC® – Beyeler®

Precitec®

Prima Industrie®

Raskin®

Rouchaud®

Salvagnini®

Strippit®

Tanaka®

Thyssen®

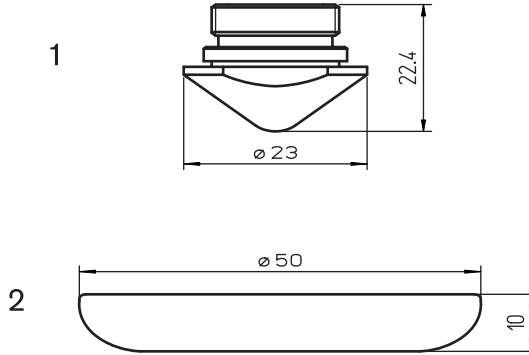
Trumpf®

Technical service

OEM-trained technicians on staff with over 25 years of experience.

Free application support for all laser OEMs.

We stand behind our products with industry-leading technical expertise.



Consumables

Centricut part number	Reference number	Alternate reference	Description	Pkg qty
RA403-0010		L31	Nozzle – 1.0 mm	1
1 BE370-0006		L52	Nozzle – 1.2 mm	1
BE371-0006		L53	Nozzle – 1.5 mm	1
2 RA403-0002		AL9	Stylus foot – steel	1
RA403-0003		AL51	Stylus foot – Teflon [®]	1

Optics care

Centricut part number	Reference number	Description	Pkg qty
TR300-6452	N/A	CO ₂ Lens paper (50 sheets)	1



Centricut and Hypertherm are trademarks of Hypertherm, Inc., and may be registered in the United States and/or other countries. All other trademarks are the property of their respective owners.

© 1/10 Hypertherm, Inc.

Hypertherm[®]

Hypertherm, Inc.
Hanover, NH 03755 USA
603-643-3441 Tel

Hypertherm Europe B.V.
4704 SE Roosendaal, Nederland
31 165 596907 Tel

Hypertherm (Shanghai)
Trading Co., Ltd.
PR China 200052
86-21 5258 3330 /1 Tel

Hypertherm (S) Pte Ltd.
Singapore 349567
65 6 841 2489 Tel

Hypertherm (India) Thermal Cutting
Pvt. Ltd.
Chennai, Tamil Nadu
91 0 44 2834 5361 Tel

Hypertherm Brasil Ltda.
Guarulhos, SP - Brasil
55 11 2409 2636 Tel

Hypertherm México, S.A. de C.V.
México, D.F.
52 55 5681 8109 Tel

www.hypertherm.com