

**Hypertherm**<sup>®</sup>



***Centricut CO<sub>2</sub> laser consumables  
for Thyssen***<sup>®</sup>

## Chemical code key

### Lens

PFL	Pre-focus
MEN	Meniscus
PLX	Plano-convex
MTD	Mounted
Not MTD	Not mounted
MP5	Low absorption

### Mirrors

SI	Silicon
GE	Germanium
ZNSE	Zinc-selenide
PS	Phase shift
MMR	Maximum metal reflector
ATFR	Absorbing thin film reflector
TRZ	Total Reflector – zero phase shift
ZPS	Zero phase shift
OC	Output coupler
RM	Rear mirror
COL-I	Collimator input
COL-O	Collimator output
AO	Adaptive optic
UC	Uncoated
MCX	Convex
MCC	Concave

### Measurements

DIA	Diameter
FL	Focal length
ET	Edge thickness

## Product is available for the following major OEM brands

Amada®

---

Behrens®

---

Bystronic®

---

Cincinnati®

---

Finn-Power®

---

GHT-SHT®

---

Haas®

---

Haco® – Technology Italiana®

---

Hankwang®

---

Laserdyne®

---

Laser Lab®

---

LVD®

---

Mazak®

---

Messer Griesheim®

---

Mitsubishi®

---

Murata Wiedemann® – Fanuc®

---

Niigata®

---

NTC® – Beyeler®

---

Precitec®

---

Prima Industrie®

---

Raskin®

---

Rouchaud®

---

Salvagnini®

---

Strippit®

---

Tanaka®

---

Thyssen®

---

Trumpf®

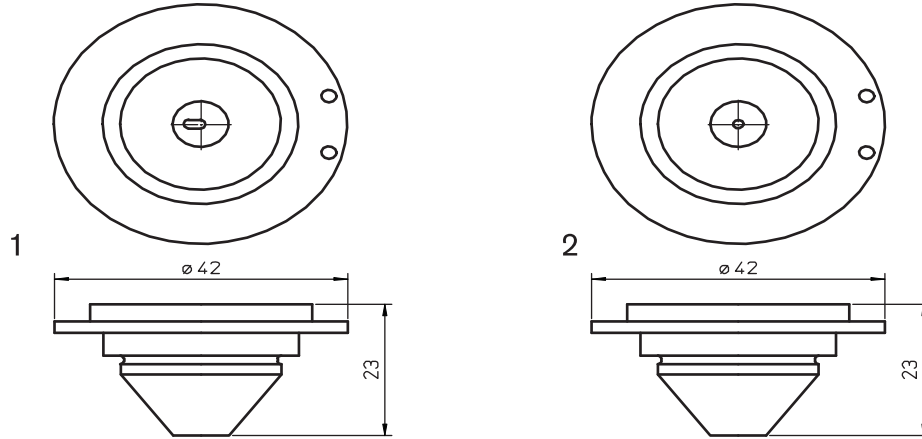
---

## Technical service

OEM-trained technicians on staff with over 25 years of experience.

Free application support for all laser OEMs.

We stand behind our products with industry-leading technical expertise.



**Consumables**

Centricut part number	Reference number	Alternate reference	Description	Pkg qty
1 TH424-0002		L1142	Nozzle w/slot	1
2 TH424-0001		L1143	Nozzle – 1.5 mm	1

**Optics care**

Centricut part number	Reference number	Description	Pkg qty
TR300-6452	N/A	CO <sub>2</sub> Lens paper (50 sheets)	1



Centricut and Hypertherm are trademarks of Hypertherm, Inc., and may be registered in the United States and/or other countries. All other trademarks are the property of their respective owners.

© 1/10 Hypertherm, Inc.

## ***Hypertherm***<sup>®</sup>

Hypertherm, Inc.  
Hanover, NH 03755 USA  
603-643-3441 Tel

Hypertherm Europe B.V.  
4704 SE Roosendaal, Nederland  
31 165 596907 Tel

Hypertherm (Shanghai)  
Trading Co., Ltd.  
PR China 200052  
86-21 5258 3330 /1 Tel

Hypertherm (S) Pte Ltd.  
Singapore 349567  
65 6 841 2489 Tel

Hypertherm (India) Thermal Cutting  
Pvt. Ltd.  
Chennai, Tamil Nadu  
91 0 44 2834 5361 Tel

Hypertherm Brasil Ltda.  
Guarulhos, SP - Brasil  
55 11 2409 2636 Tel

Hypertherm México, S.A. de C.V.  
México, D.F.  
52 55 5681 8109 Tel

[www.hypertherm.com](http://www.hypertherm.com)